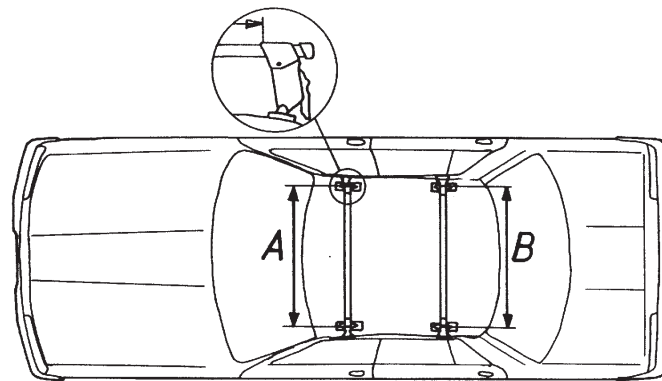
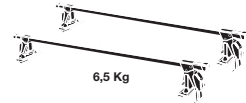


Thule System Kit 009

ALFA Romeo sprint
 ALFA Romeo 90, 85-
 AUSTIN Montego
 BUICK Century, 85-
 BUICK Lesabre, 86-
 CHEVROLET Celebrity
 CHRYSLER New York
 CHRYSLER Fifth AVE
 DODGE Diplomat
 ISUZU Florina aska, 84-
 NISSAN Cedric, 84-
 NISSAN Gloria, 84-
 NISSAN Leopard

NISSAN Skyline hardtop, 86-
 OLDSMOBILE Cutlass ciera, 86-
 OLDSMOBILE Delta, 88-
 PONTIAC Fiero
 PONTIAC 6000 STE
 PLYMOUTH Gran fury
 TOYOTA Celica GT, -86
 TOYOTA Supra, -86
 TOYOTA Corona coupe, 86-
 TOYOTA Cressida, 84-
 TOYOTA Crown, 84-



	A	B	A	B
Alfa Romeo Sprint	797 mm	797 mm	31 ³ / ₈ inch	31 ³ / ₈ inch
Alfa Romeo 90	987 mm	987 mm	38 ⁷ / ₈ inch	38 ⁷ / ₈ inch
Austin Montego	992 mm	992 mm	39 inch	39 inch
Buick Century	1007 mm	1007 mm	39 ⁵ / ₈ inch	39 ⁵ / ₈ inch
Chevrolet Celebrity	1007 mm	1007 mm	39 ⁵ / ₈ inch	39 ⁵ / ₈ inch
Chrysler New Yorker, -Fifth Ave	1067 mm	1067 mm	42 inch	42 inch
Cutlas Ciera	1007 mm	1007 mm	39 ⁵ / ₈ inch	39 ⁵ / ₈ inch
Dodge Diplomat	1007 mm	1007 mm	39 ⁵ / ₈ inch	39 ⁵ / ₈ inch
Oldsmobile				
Plymouth Gran Fury	1007 mm	1007 mm	39 ⁵ / ₈ inch	39 ⁵ / ₈ inch
Pontiac 6000 ste	1007 mm	1007 mm	39 ⁵ / ₈ inch	39 ⁵ / ₈ inch
Pontiac Fiero 84-	997 mm	997 mm	39 ¹ / ₄ inch	39 ¹ / ₄ inch
Toyota Celica GT, -supra - 86	937 mm	937 mm	36 ⁷ / ₈ inch	36 ⁷ / ₈ inch
Toyota Celica GT, 87-	887 mm	887 mm	35 inch	35 inch
Toyota Cressida	977 mm	977 mm	38 ¹ / ₂ inch	38 ¹ / ₂ inch

